

B. Power Routing Setup

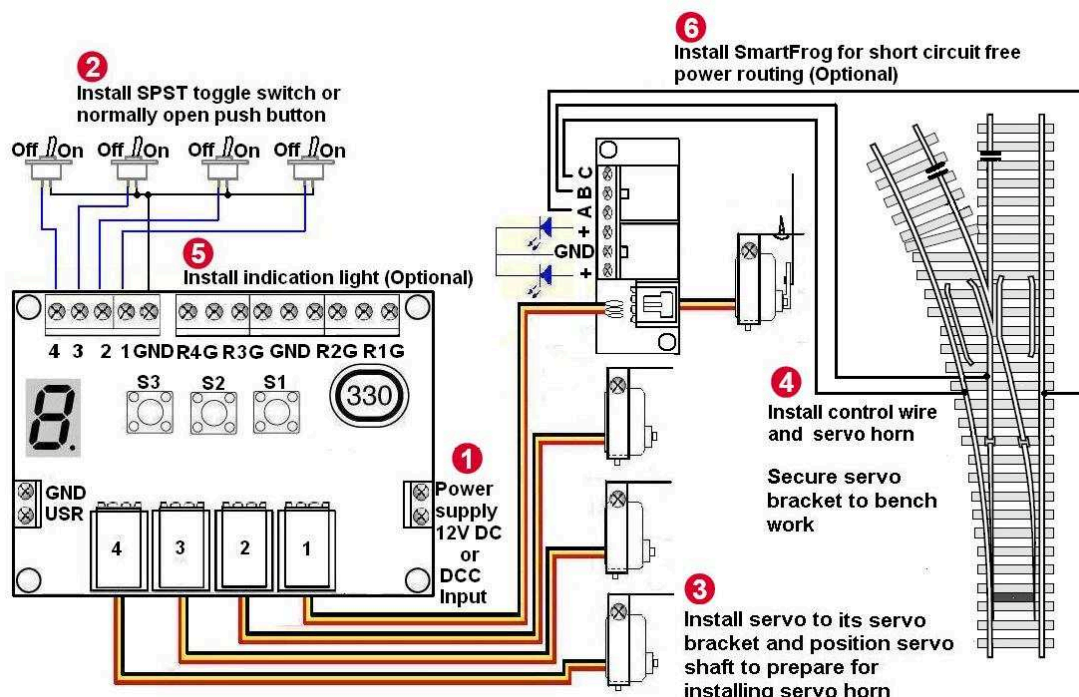


Figure B. Power Routing Setup---SmartSwitch™ + SmartFrog™

C. DCC Setup

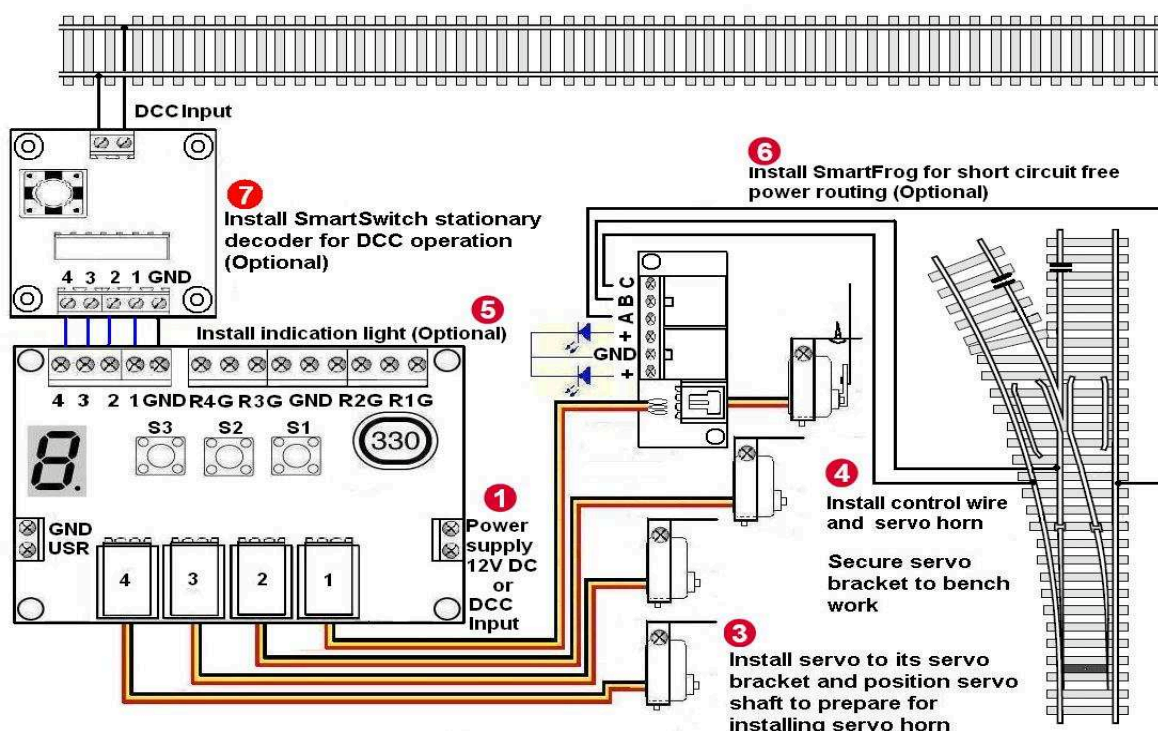


Figure C. Power Routing Setup---SmartSwitch™ + SmartFrog™ + DCC stationary decoder

The SmartSwitch™ is designed not only for controlling the turnouts but also for other creative animations. Therefore you should not limit yourself to the above three basic suggestions. Be creative!